

GENERAL TECHNICAL CHARACTERISTICS

- Dielectric : Polypropylene film
- Construction : Extended double side Metallized carrier film with internal series connection and Metallized film
- Case : Solvent resistant plastic case with resin sealing FlaGe retardant execution (UL94V-0).
- Leads: Tinneaded insert M6 or M8 fillde with resin

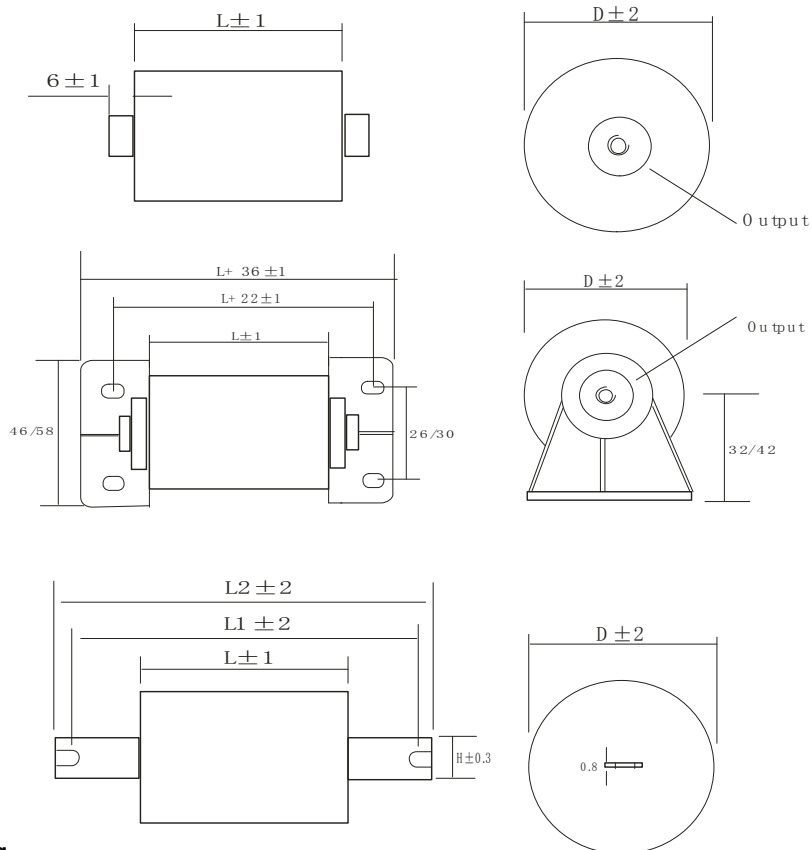
ELECTRICAL CHARACTERISTICS

- Working teGperature : - 40 to + 85 °C
- Capacitance : 1 to 200µF
- Rated Voltage : 400, 800,1000Vdc
- Tolerance : ± 5%, ± 10%
- Dissipation factor: Geasured at 1000±20 Hz AND 25±5°C.
When $C_r \leq 1.0\mu F$, 4×10^{-4} ;
When $C_r > 1.0\mu F$, 6×10^{-4}

Life expectancy: 100,000 hours at U_n and 70°C
(Hotspor temperature)

TEST GETHODS AND PERFORGANCES

- Dielectric strength: 1.6Ur (DC) applied for 10s at 25±5°C
(1 G minute for type test)
- Insulation resistance : 3000s but need not exceed 30GΩ
(typical value), after 1 G minute of electrification at 100Vdc (25±5°C)



Outline drawing

Article table/参数表

Terminals : nut (铜头引出)

| Part Number | CAP μ F | Dimension (mm) | | du/dt v/ μ s | Irms max A | ESR m Ω | Output |
|------------------------|----------------|----------------|-----|---------------------|---------------|-------------------|--------|
| | | L | D | | | | insert |
| Un 450Vdc Urms 250Vac | | | | | | | |
| DLA 450K20 | 20 | 40 | 44 | 70 | 27 | 3.5 | M5 |
| DLA 450K25 | 25 | 50 | 47 | 60 | 32 | 3.0 | M6 |
| DLA 450K30 | 30 | 50 | 50 | 60 | 37 | 2.8 | M6 |
| DLA 450K40 | 40 | 50 | 58 | 60 | 46 | 2.5 | M6 |
| DLA 450K50 | 50 | 50 | 64 | 30 | 54 | 2.2 | M8 |
| DLA 450K60 | 60 | 58 | 57 | 30 | 46 | 2.9 | M6 |
| DLA 450K80 | 80 | 58 | 66 | 30 | 56 | 2.0 | M8 |
| DLA 450K100 | 100 | 58 | 74 | 30 | 66 | 1.8 | M8 |
| DLA 450K150 | 150 | 64 | 90 | 30 | 90 | 1.6 | M8 |
| DLA 450K200 | 200 | 64 | 104 | 30 | 111 | 1.4 | M8 |
| Un 800Vdc Urms 400Vac | | | | | | | |
| DLA 800K10 | 10 | 40 | 42 | 80 | 25 | 4.5 | M5 |
| DLA 800K15 | 15 | 50 | 44 | 70 | 32 | 3.3 | M6 |
| DLA 800K20 | 20 | 50 | 52 | 70 | 40 | 2.8 | M6 |
| DLA 800K25 | 25 | 50 | 58 | 70 | 45 | 2.5 | M6 |
| DLA 800K30 | 30 | 50 | 60 | 70 | 50 | 2.1 | M6 |
| DLA 800K40 | 40 | 58 | 63 | 50 | 48 | 3.0 | M8 |
| DLA 800K50 | 50 | 58 | 70 | 50 | 55 | 2.6 | M8 |
| DLA 800K60 | 60 | 58 | 76 | 50 | 65 | 2.3 | M8 |
| DLA 800K80 | 80 | 58 | 88 | 50 | 80 | 2.0 | M8 |
| DLA 800K100 | 100 | 64 | 98 | 50 | 95 | 1.8 | M8 |
| Un 1000Vdc Urms 500Vac | | | | | | | |
| DLA 1000K5 | 5 | 40 | 44 | 120 | 23 | 5.0 | M6 |
| DLA 1000K10 | 10 | 50 | 58 | 100 | 38 | 3.3 | M6 |
| DLA 1000K15 | 15 | 50 | 70 | 100 | 52 | 2.6 | M8 |
| DLA 1000K20 | 20 | 64 | 66 | 80 | 45 | 3.3 | M8 |
| DLA 1000K25 | 25 | 64 | 74 | 80 | 55 | 3.0 | M8 |
| DLA 1000K30 | 30 | 64 | 81 | 80 | 65 | 2.6 | M8 |
| DLA 1000K40 | 40 | 64 | 93 | 80 | 78 | 2.3 | M8 |
| DLA 1000K50 | 50 | 64 | 104 | 80 | 90 | 2.0 | M8 |
| DLA 1000K60 | 60 | 64 | 114 | 80 | 105 | 1.7 | M8 |

Terminals : lugs (焊片式)

| Part Number | CAP μ F | Dimension (mm) | | du/dt v/ μ s | Irms max A | ESR m Ω |
|------------------------|------------|----------------|----|-----------------|---------------|------------|
| | | L | D | | | |
| Un 400Vdc Urms 250Vac | | | | | | |
| DLA 400K3.0 | 3.0 | 37 | 21 | 74 | 9 | 8.5 |
| DLA 400K5.0 | 5.0 | 37 | 26 | 74 | 13 | 5.8 |
| DLA 400K10 | 10 | 44 | 30 | 60 | 16 | 5.4 |
| DLA 400K15 | 15 | 44 | 36 | 60 | 22 | 4.0 |
| DLA 400K20 | 20 | 44 | 41 | 60 | 27 | 3.5 |
| DLA 400K25 | 25 | 44 | 47 | 60 | 32 | 2.6 |
| DLA 400K30 | 30 | 60 | 41 | 30 | 27 | 4.0 |
| DLA 400K40 | 40 | 60 | 48 | 30 | 34 | 3.1 |
| DLA 400K50 | 50 | 60 | 53 | 30 | 40 | 2.5 |
| Un 800Vdc Urms 400Vac | | | | | | |
| DLA 800K2.0 | 2.0 | 37 | 22 | 110 | 10 | 11.0 |
| DLA 800K3.0 | 3.0 | 37 | 27 | 110 | 14 | 7.5 |
| DLA 800K5.0 | 5.0 | 37 | 34 | 110 | 16 | 6.0 |
| DLA 800K10 | 10 | 44 | 37 | 70 | 22 | 4.0 |
| DLA 800K15 | 15 | 44 | 45 | 70 | 31 | 3.0 |
| DLA 800K20 | 20 | 60 | 45 | 50 | 30 | 3.5 |
| DLA 800K25 | 25 | 60 | 50 | 50 | 35 | 3.0 |
| DLA 800K30 | 30 | 60 | 55 | 50 | 40 | 2.5 |
| DLA 800K40 | 40 | 60 | 63 | 50 | 50 | 2.3 |
| Un 1000Vdc Urms 500Vac | | | | | | |
| DLA 1000K1.0 | 1.0 | 37 | 23 | 190 | 9 | 12.0 |
| DLA 1000K2.0 | 2.0 | 37 | 32 | 190 | 15 | 6.5 |
| DLA 1000K3.0 | 3.0 | 44 | 32 | 120 | 17 | 8.5 |
| DLA 1000K5.0 | 5.0 | 44 | 41 | 120 | 23 | 5.5 |
| DLA 1000K10 | 10 | 60 | 48 | 80 | 29 | 5.3 |
| DLA 1000K15 | 15 | 60 | 58 | 80 | 38 | 4.0 |
| DLA 1000K20 | 20 | 60 | 67 | 80 | 47 | 3.2 |

Terminals : nut Part Numbering System : DLA100010-60M8" = style "A B C D"

How to Order:

DLA - 800 - K - 15 M8

